

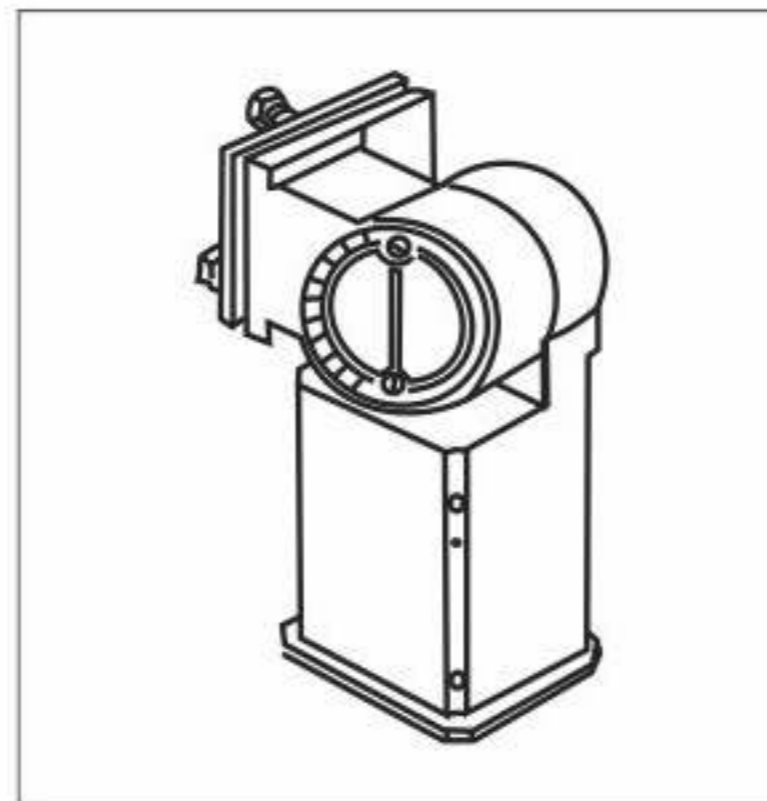
MOUNTING BRACKET



CONTACT
US

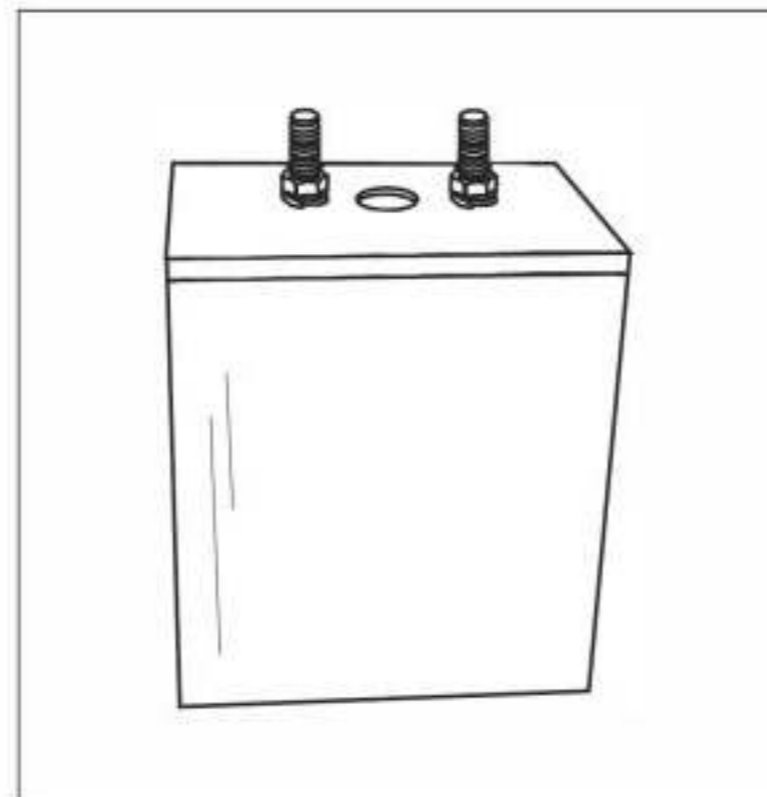


❖ Mounting Bracket



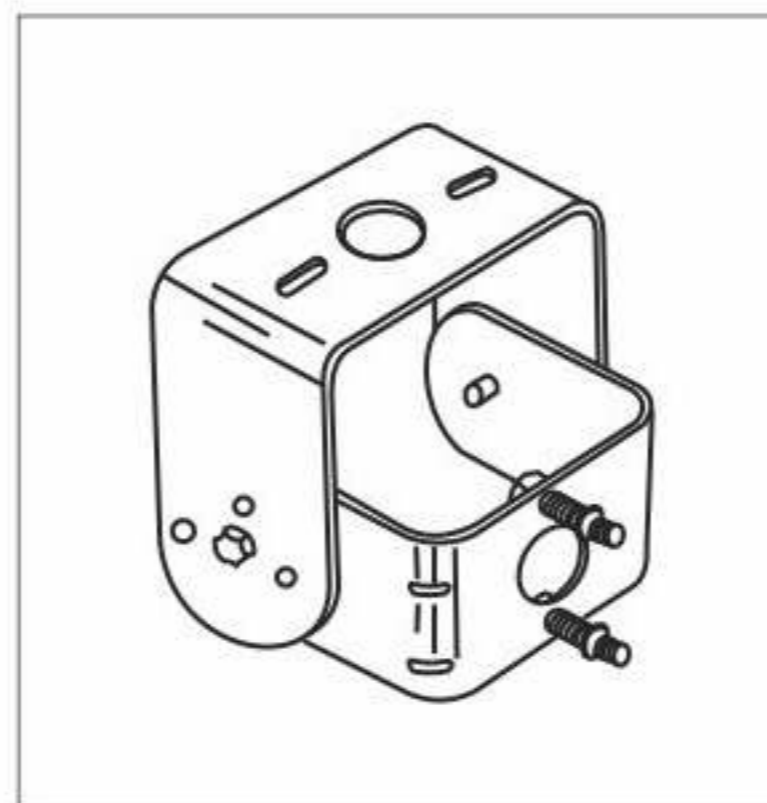
SLIP FITTER:

- Die cast aluminum, Powder coating.
- SF joint adjusts over 180 degree arc.
- Good for round pole, OD 2.362".
- Suitable for ZY1 series and ZY2 series.



SQUARE SLIP FITTER:

- Square Extruded aluminum slip fitter, powder coating.
- Mounting can be locked firmly in place.
- Good for square pole, Assembly clearance 2".
- Suitable for ZY2 series and ZG4(40W~100W) series.

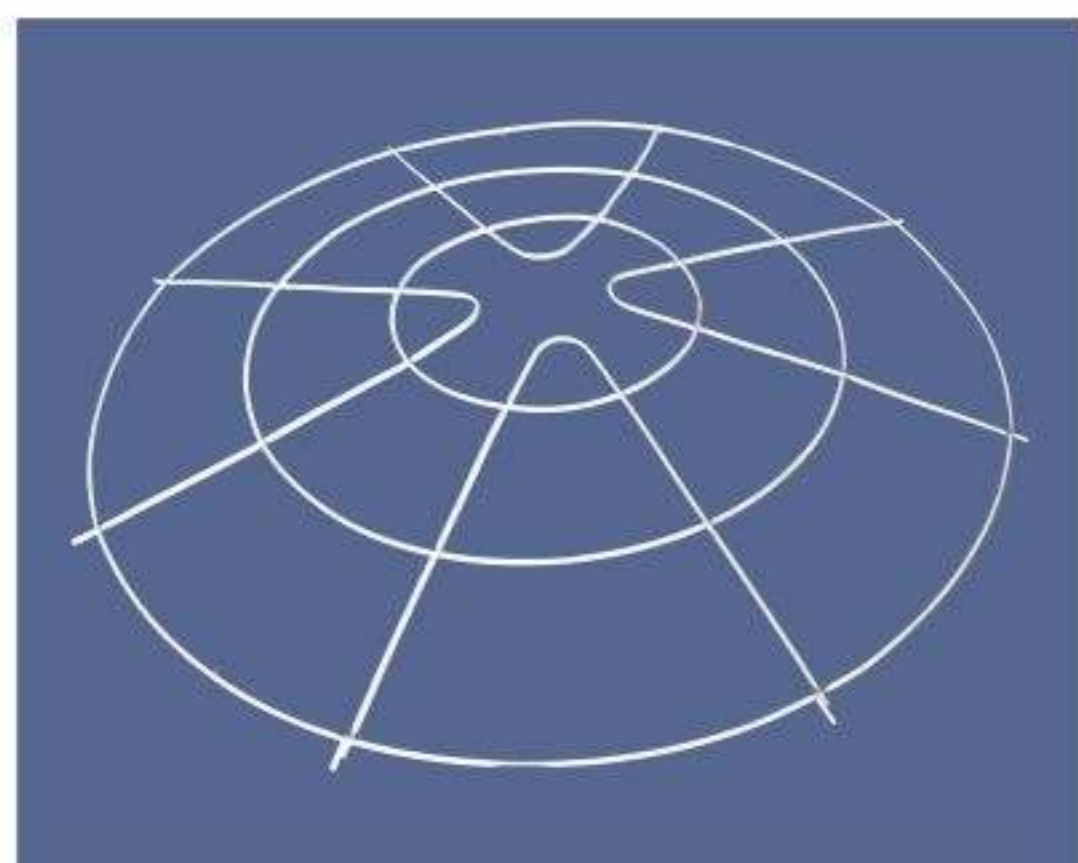


TRUNNION:

- Steel plate, powder coating.
- Mounting can be locked firmly in place.
- Can be adjustable in 180 degrees arc.
- Suitable for ZY1 series.

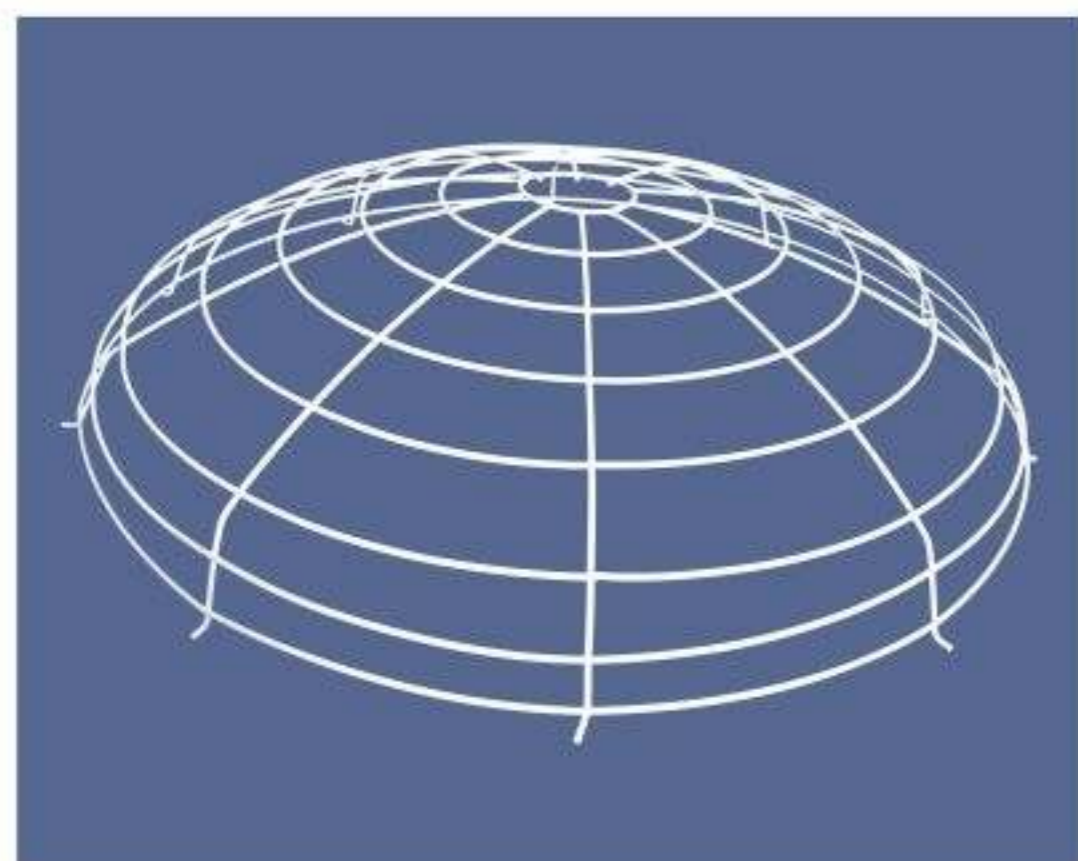
The above data is subject to change without notice.

❖ Mounting Bracket



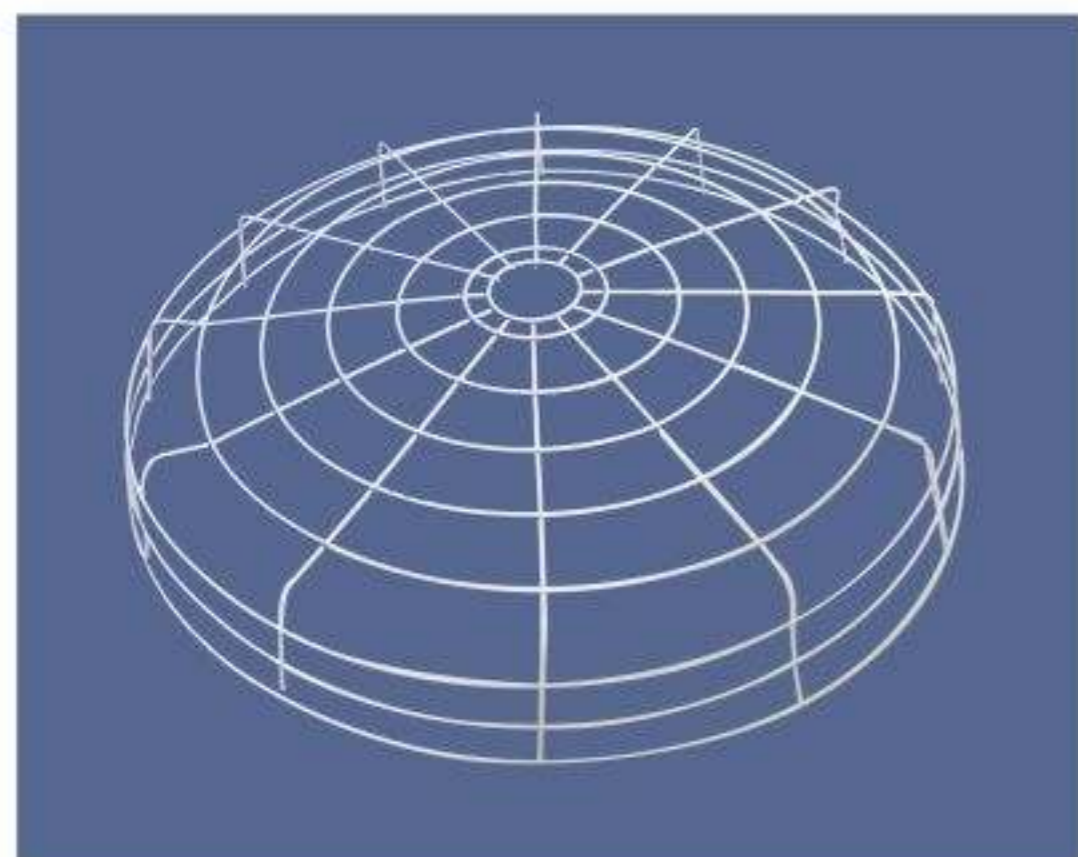
SAFE GUARD A:

Suitable for GC18-150E/200E/250E/300E



SAFE GUARD B:

Suitable for GC18 a-150E/200E/250E/300E (with PC lens)
GC18 d-150E/200E/250E/300E



SAFE GUARD C:

Suitable for GC28 -250E/300E/400E/500E

The above data is subject to change without notice.